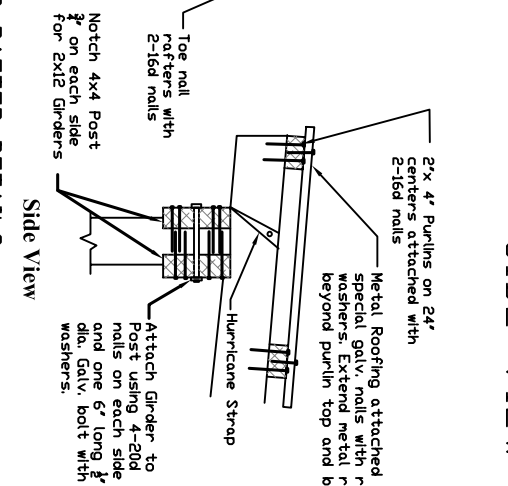
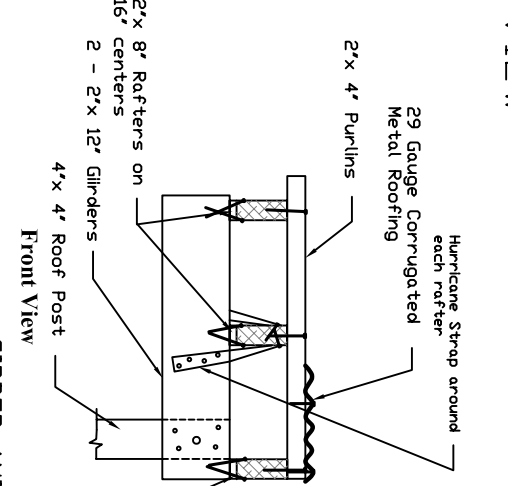
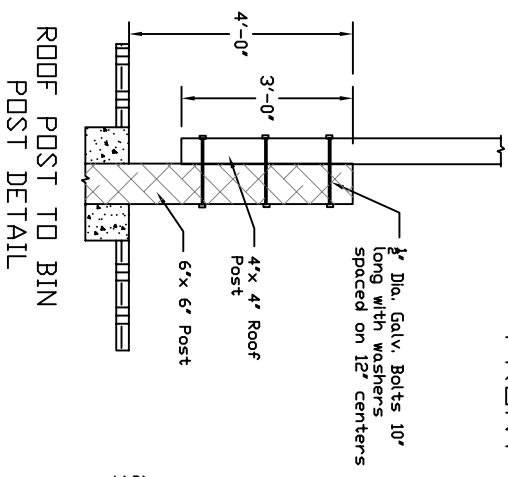


FRONT VIEW

SIDE VIEW

NOTE: This standard Roof Design information is for a storage structure 12' x 12' in size. For larger structures (width greater than 12') the design must be modified with a center post to support the girder on 12' spans or less both front and back.



(NH-ROOF-P&P-STRUC.1)

GIRDER AND RAFTER DETAILS

NO SCALE

Small Farm Dry Bedded Manure
Roof over Post & Plank Structure

NAME: _____
 LOCATION: _____
 NH DEPARTMENT OF AGRICULTURE
 AG NUTRIENT MANAGEMENT GRANT PROGRAM
 General J. Lang, 4 Hills
 General K. Gerald J. Lang, PE
 TITLE: _____
 DATE: _____
 DRAWN BY: _____
 CHECKED BY: _____